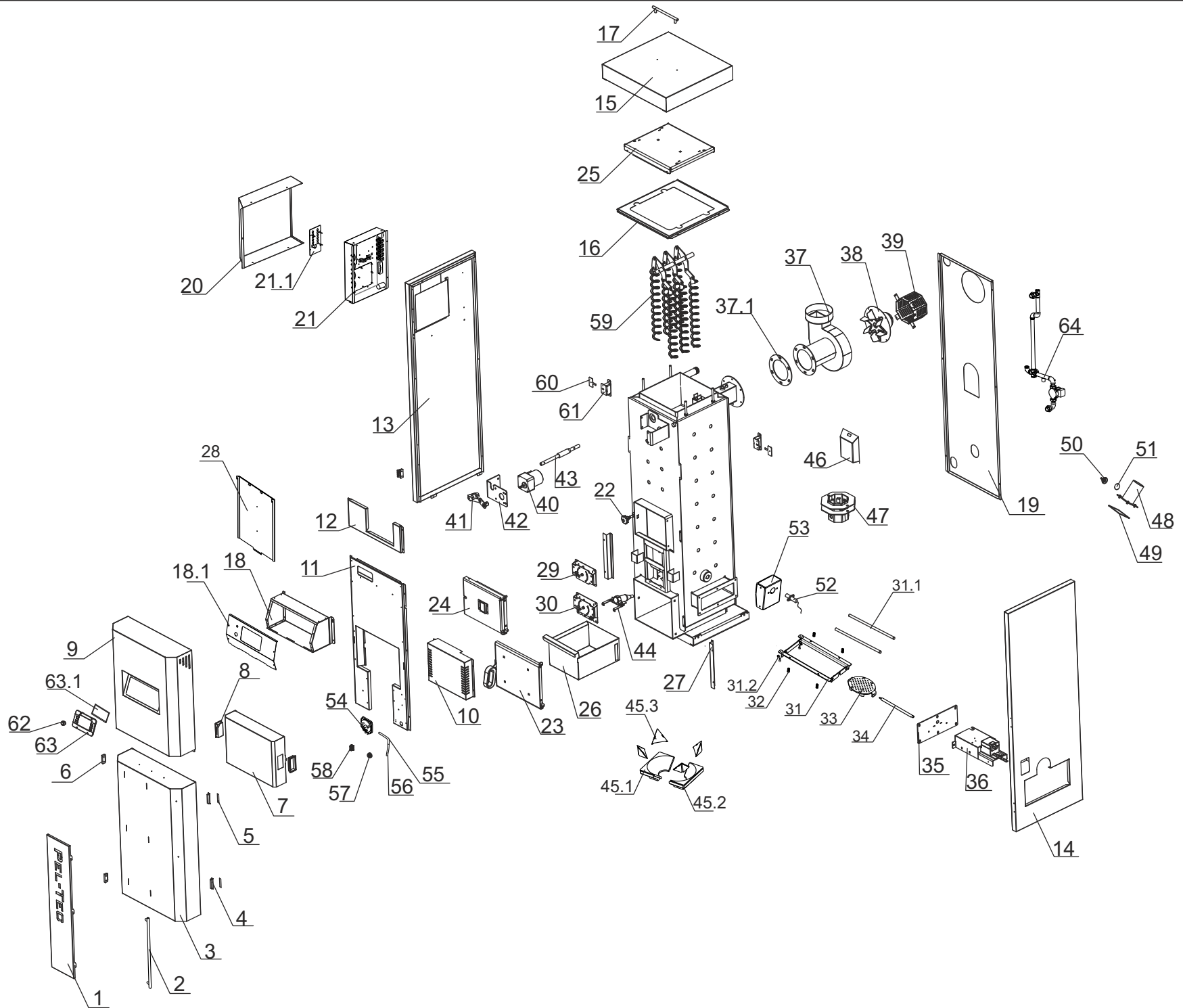


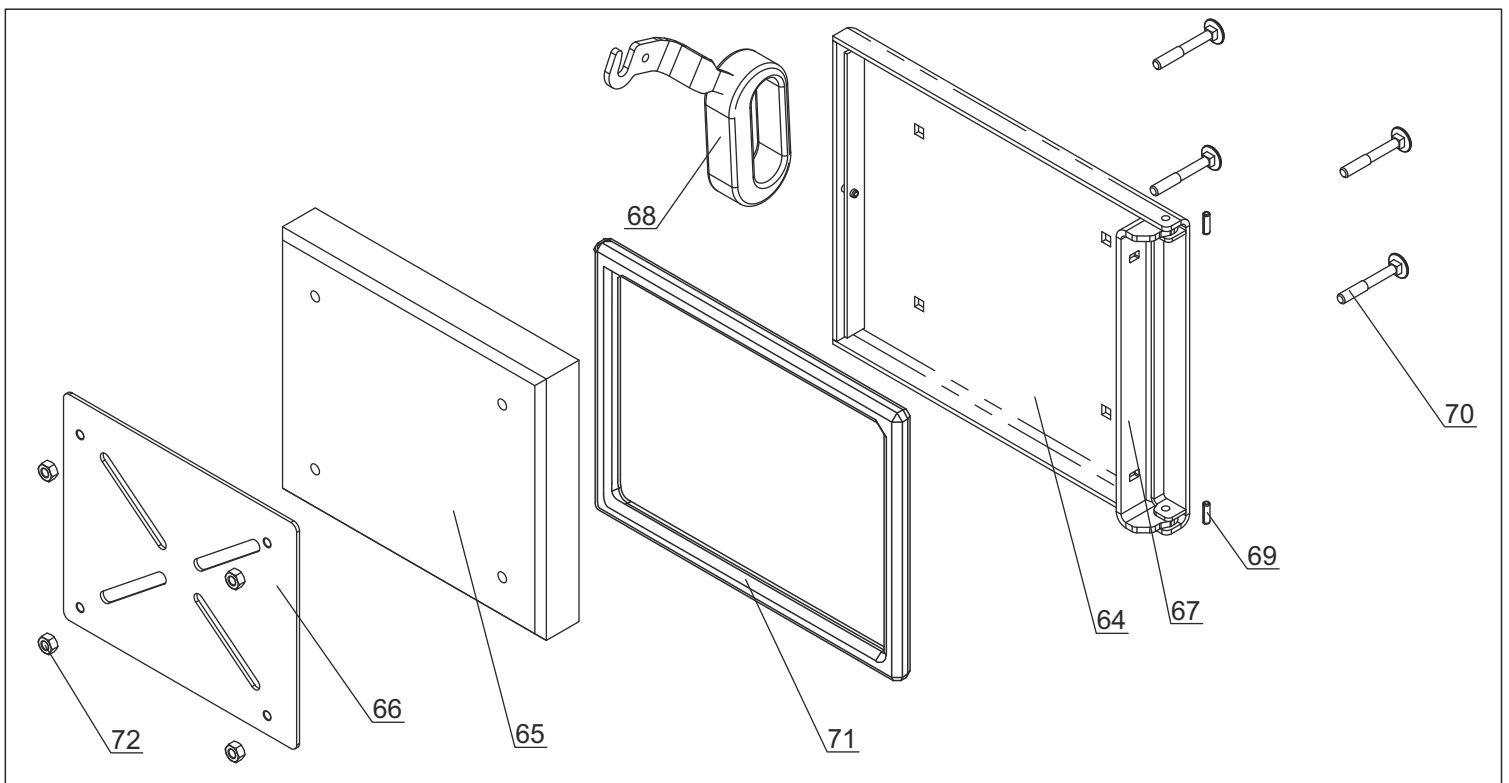
## **DISPOSITIONAL (EXPANDED) VIEW OF THE BOILER PelTec 12 WITH SPARE PARTS LIST**

*PelTec12*

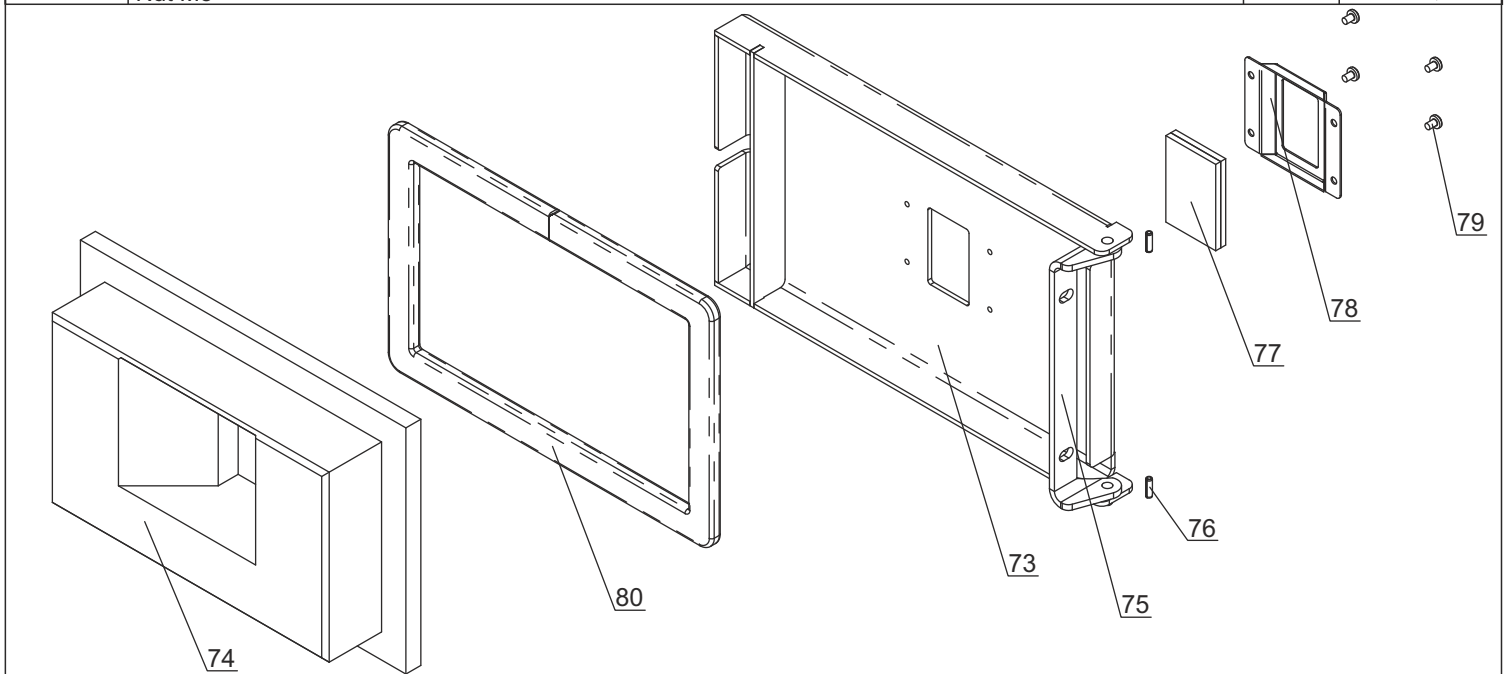


## PeITec 12 - SPARE PARTS LIST

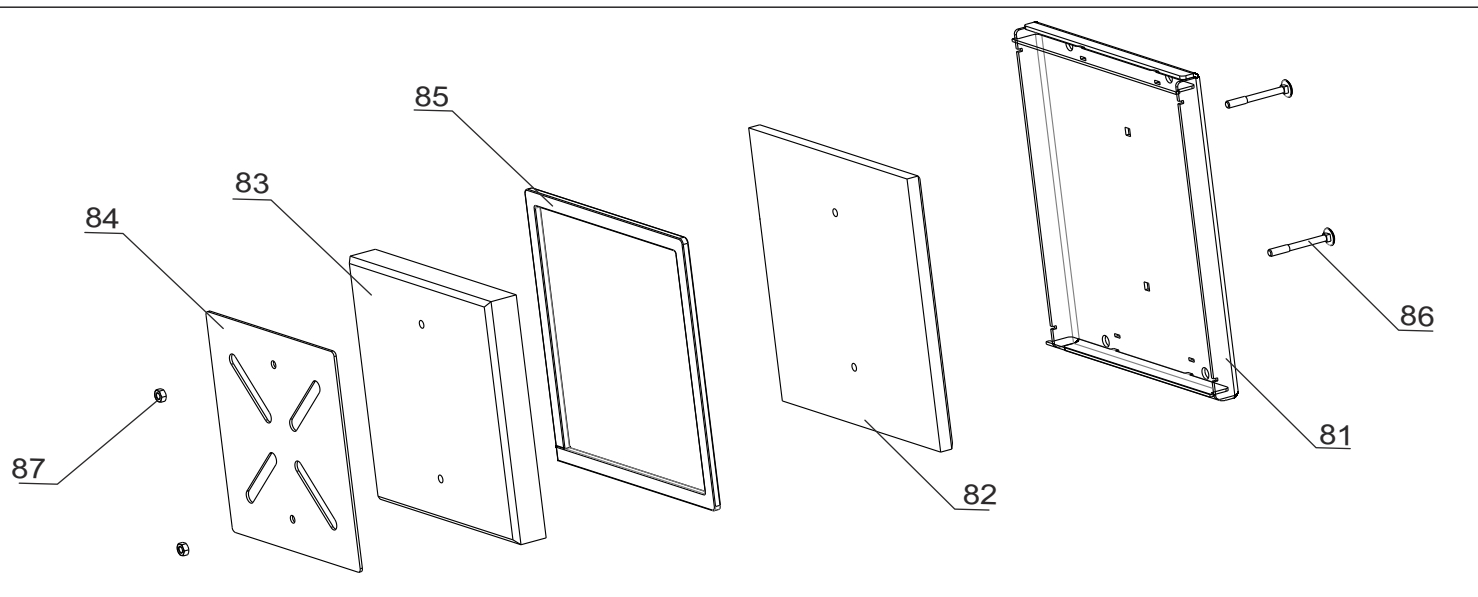
Position	Position name	Code	Price (€)
1	Decorative lid of the cover door	RAL 9005 29827	8,11
2	Handle door cover	20794	5,41
3	Cover door	RAL 5018 29828	54,05
4	Magnet of the door cover	17957	4,86
5	Magnet tab of the door cover	29754	0,95
6	Door cover hinge	25873	2,03
7	Protection of the front boiler door	23447	8,78
8	Handle for the protection of the front boiler door	19310	0,51
9	Front upper cover	RAL 9005 29829	45,95
10	Protection of the mechanism for primary and secondary air	23446	5,81
11	The upper front cover	23441	10,81
12	The lower front cover	23442	3,38
13	Lateral cover - left	RAL 5018 29830	44,59
14	Lateral cover - right	RAL 5018 29831	38,51
15	Upper cover	RAL 5018 29832	24,32
16	Protection for the upper cover door	25257	6,08
17	Handle upper cover	18016	3,38
18	Box of the control unit	26536	12,84
18.1	Holder for the box of control unit	RAL 9005 29825	2,70
19	Back cover	23444	16,22
20	Regulation box cover	RAL 5018 29826	12,16
21	Holder for the regulation unit	25519	6,76
21.1	Protection of the PC board	25518	1,62
22	Plastic nut M10	25348	1,08
23	SET - lower right boiler door	26505	41,89
24	SET - front boiler door	25431	50,00
25	SET - upper boiler door	25396	55,41
26	Flue gas / combustion chamber ashtray	23082	10,14
27	Front lower cover	23445	2,03
28	Ashtray cover	RAL 5018 30536	5,41
29	Primary air regulation	26478	7,84
30	Secondary air regulation	26479	8,38
31	SET - burner grill holder	25692	6,76
31.1	Axle of the burner grill holder	23520	2,70
31.2	Screw M6 x 20 and nut M6	30544	0,20
32	Pressure spring of the porter grill	22994	0,27
33	Burner grill	25776	40,54
34	Burner grill axle	23521	3,24
35	Flange of the mechanism for cleaning of the grill	23293	4,05
36	SET - mechanism for cleaning of the grill (see page 3)	—	104,05
37	Box of the flue gas fan	26376	51,35
37.1	Flange of the flue gas fan	29775	1,35
38	Flue gas fan	23003	133,65
39	Protection of the flue gas fan	26378	3,11
40	Motor with the gearbox for cleaning of the flue gases	17784	92,57
41	Mechanism of the motor for cleaning the flue gas channels	29776	4,05
42	Porter of the motor for the cleaning of the flue gas channels	23295	4,05
43	Axle of the mechanism for cleaning of the flue gas channel	24909	4,46
44	SET - el. heater with porter and clamp (see page 3)	—	41,99
45.1	Refractory stone - left	29911	26,00
45.2	Refractory stone - right	29908	26,00
45.3	Refractory stone holder	30376	4,73
46	Pellet converter	30134	24,32
47	Burner combustion chamber	26569	50,68
48	Pellet feeding tube	29769	9,86
49	Gasket of the pellet feeding tube	26195	0,61
50	Bimetal sensor	12288	10,99
51	Bimetal sensor tab	25905	0,41
52	Photocell	13782	11,89
53	Protection of the photocell	29770	2,03
54	Pressure switch	27368	15,27
55	Pressure switch PVC tube	13497	0,34
56	Pressure switch silicone tube	13498	0,47
57	Rubber grommet	19648	0,27
58	Terminal block	19623	1,35
59	SET - Turbulators from the 2nd flue gases passage (see page 4)	—	
60	Tile for the holder cover	25791	0,81
61	Holder cover	25224	1,08
62	Main switch	19296	0,92
63	Plastic frame of control unit	25811	2,43
63.1	Control unit	23028	142,70
64	Assembly - connecting pipes (see page 5)	26532	



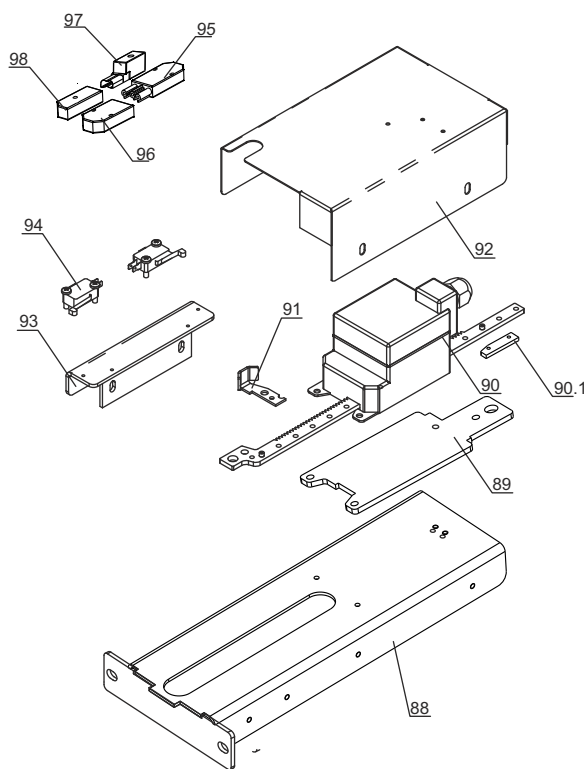
Position	Position name	Code	Price (€)
23	SET - Lower right door	26505	41,89
64	Base of the lower right door	23283	14,86
65	Refractory stone of the lower right door	23713	8,78
66	Refractory stone protection of the lower right door	23709	3,11
67	Hinge of the lower right door	23335	2,16
68	Handle of the lower right door	15552	3,38
69	Elastic pin diameter 6 x 20 mm	18759	0,14
70	Screw torban M8x60mm	15289	0,14
71	Glass braid right door	26450	1,62
72	Nut M8	13134	0,07



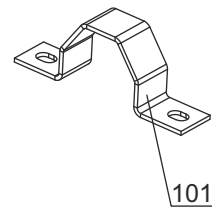
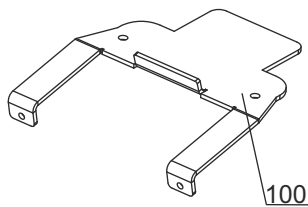
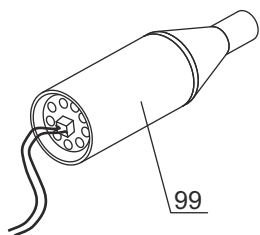
Position	Position name	Code	Price (€)
24	SET - front boiler door	25431	50,00
73	Base of the front door	23309	11,49
74	Refractory stone of the front door	23714	21,62
75	Hinge of the lower right door	23298	1,89
76	Elastic pin diameter 6 x 20 mm	18759	0,14
77	Glass of the front door	22992	4,73
78	Porter of the front door Glass	23716	1,62
79	Screw M4x6mm	14443	0,07
80	Glass braid front door	26507	1,35



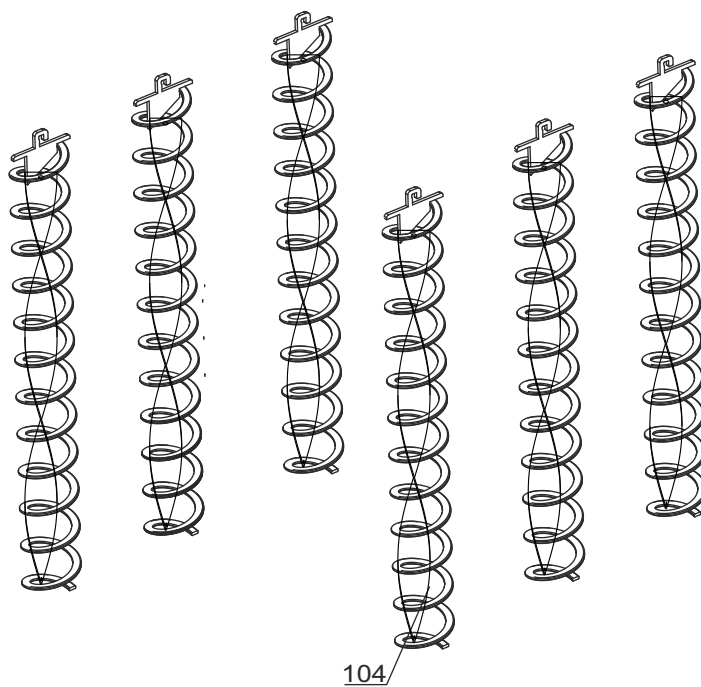
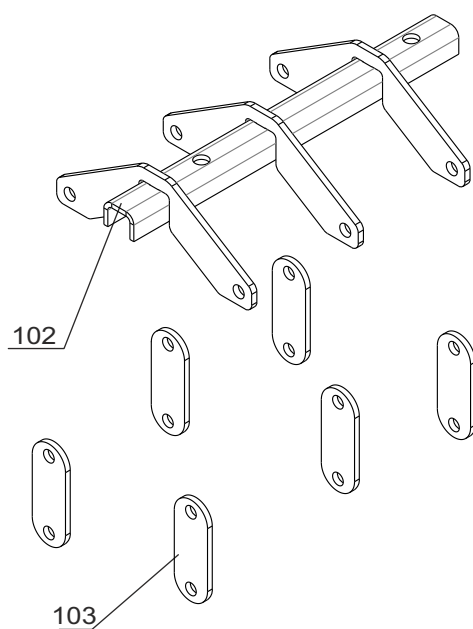
Position	Position name	Code	Price (€)
25	SET - Upper door	25396	55,41
81	Base of the upper door	23284	17,57
82	Refractory stone of the upper door	23715	10,14
83	Smaller refractory stone of the upper door	25752	12,84
84	Protection of the smaller refractory stone for the upper door	25405	6,08
85	Glass braid upper door	26504	1,62
86	Screw torban M8x80mm	15646	0,14
87	Nut M8	13134	0,07



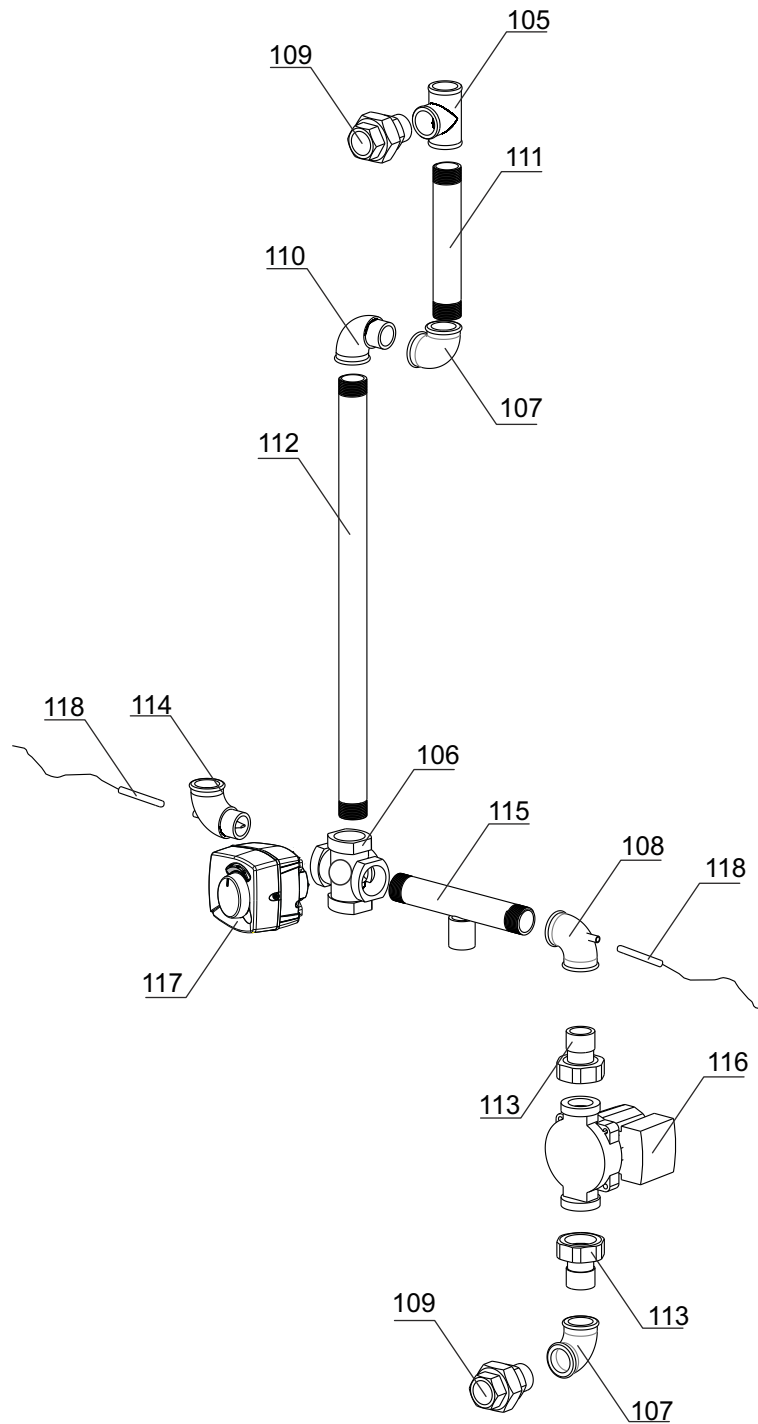
Position	Position name	Code	Price (€)
36	SET - burner grill holder		104,05
88	Motor porter for cleaning of the grill	23315	3,92
89	Washer plate of the motor for cleaning of the grill	23334	1,62
90	Motor for cleaning of the grill	22620	88,38
90.1	Delimiter of the motor for cleaning of the grill	29947	0,68
91	Boomer of the microswitch	24810	0,68
92	Protection of the mechanism for cleaning of the grill	23556	2,84
93	Microswitch porter	23572	3,11
94	Microswitch	11325	2,59
95	3-pole (female) connector (white)	25916	1,39
96	3-pole (male) connector (white)	25915	1,34
97	2-pole (female) connector (black/ brown)	16129	1,39
98	2-pole (male) connector (black/ brown)	16130	1,34



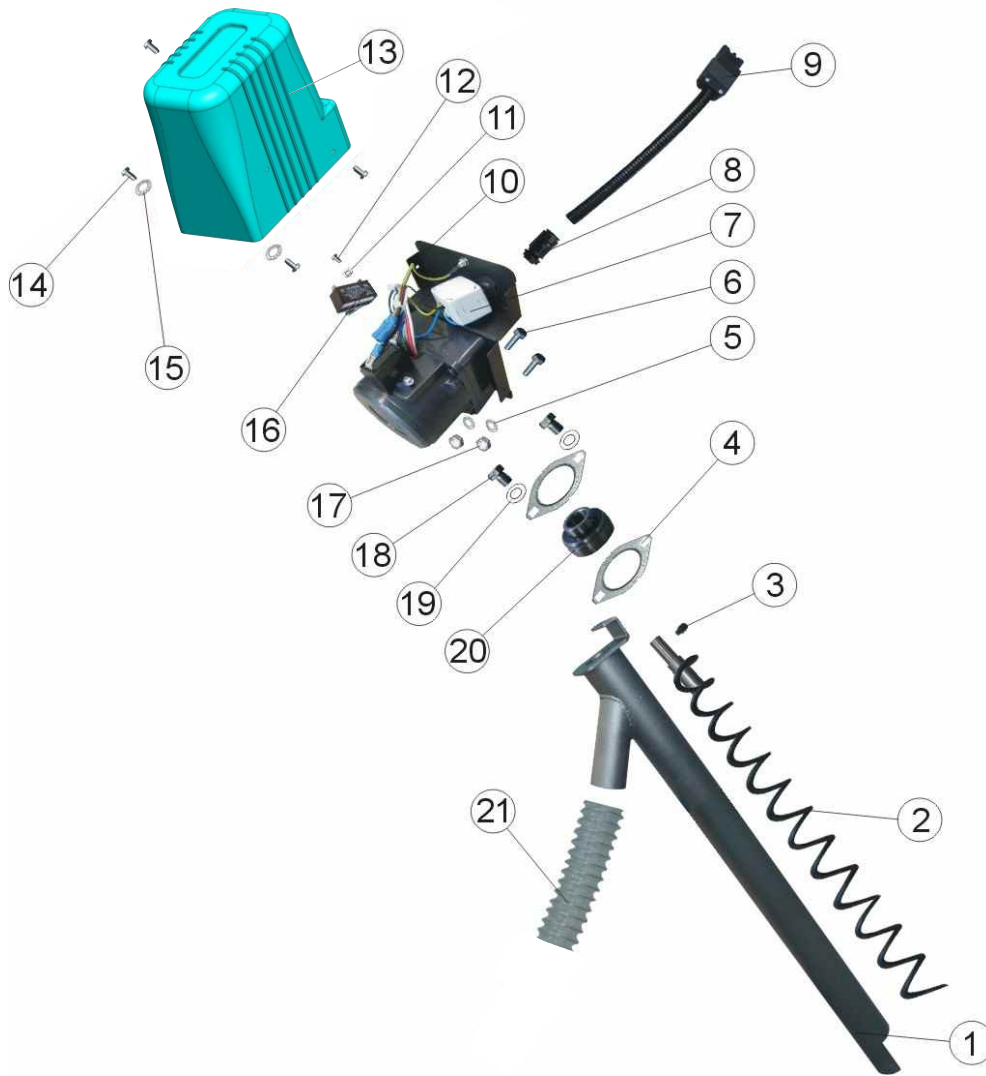
Position	Position name	Code	Price (€)
44	SET - electric heater		
99	Electric heater	27437	37,84
100	Electric heater porter	23496	3,24
101	Electric heater clamp	23497	1,22



Position	Position name	Code	Price (€)
59	SET - Turbulators from the flue gases passage		
102	Axle of the turbulators from the flue gases passage	28549	3,92
103	Porter of the turbulators from the flue gases passage	23196	0,54
104	Turbulator from the flue gases passage	26202	10,13



Position	Position name	Code	Price (€)
64	Assembly - conneting pipes	26532	
105	T - pice 1"	27073	1,74
106	ESBE 3 - way mixing valve VRG 141	15625	39,73
107	Elbow 1"	27071	1,20
108	Elbow 1" backflow	26530	3,23
109	Union joint 1"	27161	3,40
110	Elbow 1"	27068	1,55
111	Pipe 1" x 190 mm	26512	1,22
112	Pipe 1" x 555 mm	26514	3,51
113	Union joint for circulator pump	27064	5,91
114	Elbow 1" mainflow	26531	3,58
115	Pipe 1" x 201 mm with connection	27172	1,84
116	WILO RSB 24/4 pump circulation	18211	68,00
117	ESBE Motor actuator	13155	88,92
118	Flow / Return sensor (L= 2000 mm)	26200	11,00

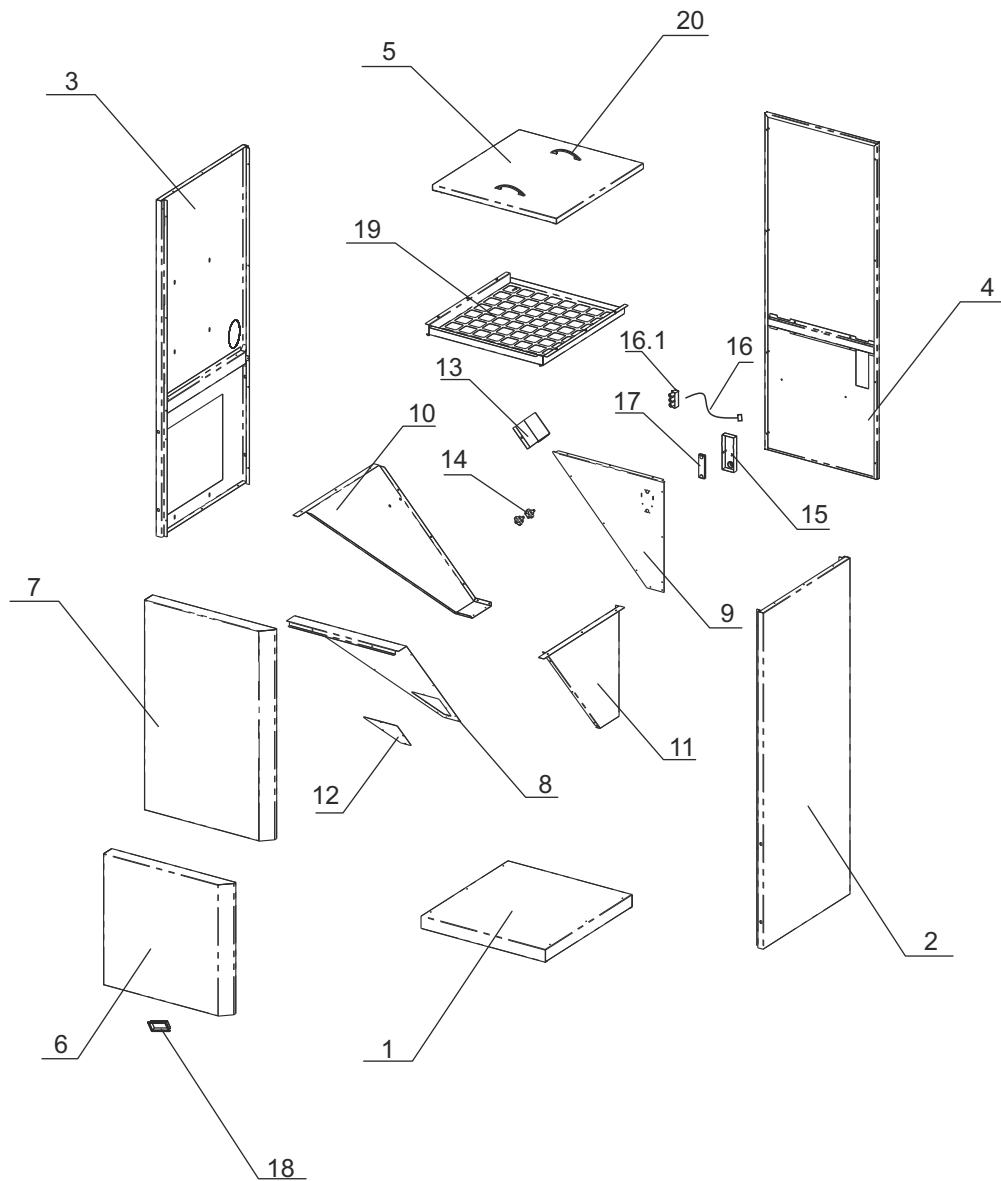


CPPT - PelTec 12/18 kW

RAL 5018

Position	Position name	Code	Price (€)
1	Screw feeder tube	25251	22,97
2	Feeder screw coil with axle	26547	8,78
3	Set screw M6x10 DIN 7380-allen	13962	0,11
4	Bearing housing	18413	2,12
5	Washer M6 DIN 6798-toothed	10827	0,10
6	Screw M6x16 DIN 933	13120	0,10
7	Ferrite in housing	14721	7,50
8	Cable inlet PG 9	19367	1,54
9	Input cord with 3-pole socket	29922	9,19
10	Motor with gearbox	17784	92,57
11	Washer M3 DIN 125A	14986	0,01
12	Screw M3x10 DIN 7985	15898	0,01
13	PVC cover for motor with gearbox (RAL 5018)	19583	9,73
14	Tapping screw 3,9x9,5 DIN 7981	13115	0,01
15	Washer M4 DIN 6798-toothed	14130	0,01
16	Condenser for motor with gearbox	12904	3,74
17	Nut M6 DIN 934	18877	0,01
18	Screw M8x10 DIN 933	13521	0,10
19	Washer M8 DIN 125A	13267	0,01
20	Bearing	18412	3,93
21	Plastic flexible tube for pellet feeding	29784	2,70

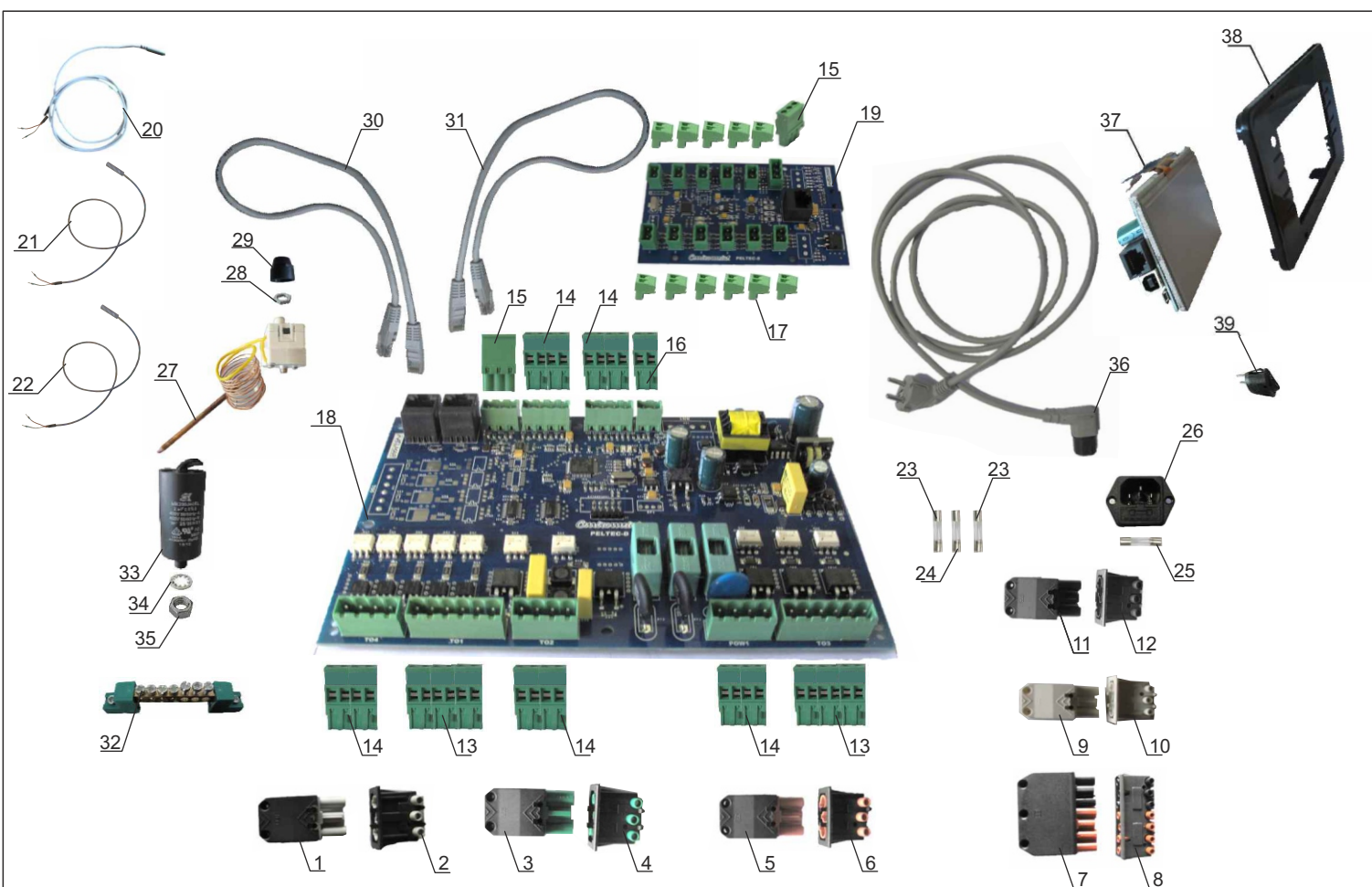




CPSP - PelTec 12 - 48 kW

RAL 5018

Position	Position name		Code	Prize (€)
1	Tank foundation	(RAL 5018)	30007	20,95
2	Lateral right side	(RAL 5018)	30008	45,27
3	Lateral left side	(RAL 5018)	30009	45,27
4	Back side		23394	22,30
5	Pellet tank cover	(RAL 5018)	30010	18,92
6	Lower door	(RAL 5018)	30011	21,62
7	Front outer side	(RAL 5018)	30012	32,43
8	Front inner side		23067	8,78
9	Back inner side		23066	6,76
10	Side inner left side		23064	10,81
11	Side inner right side		23065	8,11
12	Front inner side cover		23070	0,87
13	Feeder clamp		23069	2,16
14	Plastic screw M8x15		13132	4,73
15	Protection of the sensor		25697	1,49
16	Cable of the pellet level sensor		29786	5,41
16.1	3-pole socket		29905	0,65
17	Sensor for level of pellets		26199	18,92
18	Plastic handle for lower door		19310	0,14
19	Protection for pellet tank		23068	10,81
20	Handle		19320	2,70
21	Set-screws		29787	11,55



### REGULATION - PelTec 12/18 kW

Pos.	Position name	Code	Prize (€)
1	3-pole (female) connector (P1- heating pump, grey)	25851	1,39
2	3-pole (male) connector (P1-pump, grey)	25847	1,34
3	3-pole (female) connector (P2-heating pump, green)	25850	1,39
4	3-pole (male) connector (P2-heating pump, green)	25845	1,34
5	3-pole (female) connector (P3-heating pump, brown)	26979	1,39
6	3-pole (male) connector (P3-heating pump, brown)	25846	1,34
7	7-pole (female) connector (M3-fan,brown/black)	21758	2,24
8	7-pole (male) connector (M3-fan,brown/black)	25910	1,64
9	3-pole (female) connector (M2-motor device, white )	25849	1,39
10	3-pole (male) connector (M2-motor device, white )	25844	1,34
11	3-pole (female) connector (M1-pellet feeder, black)	25848	1,39
12	3-pole (male) connector (M1-pellet feeder, black)	25843	1,34
13	6-pole (flat) connector	29903	1,30
14	4-pole (flat) connector	29904	0,86
15	3-pole (flat) connector	29905	0,65
16	2-pole (flat) connector	29906	0,43
17	2-pole (angled) connector	29907	0,30
18	PC board	23029	122,30
19	PC board- sensor	12774	44,60
20	Flue gas sensor	25927	14,20
21	Boiler / PTV / CAS / GRO sensor (L=1000 mm)	26298	10,00
22	Flow / Return / CAS / GRO sensor (L= 2000 mm)	26200	11,00
23	Fuse 3,15 A (F3, F1 )	25836	0,16
24	Fuse 500 mA (F2 )	25837	0,16
25	Fuse 6,3 A (network male connector)	16124	0,16
26	Euro power supply connector	25453	3,19
27	Safety thermostat	15893	6,08
28	Nut M10	15017	0,01
29	Nut of the safety themostat	13185	0,07
30	UTP connector from control unit (L=1500 mm)	25932	1,70
31	UTP connector from PC board-sesor ( L=500 mm)	25834	1,00
32	Terminal strip for grounding	15820	2,43
33	Capacitor for fan (2 uF)	29909	2,00
34	Washer M8	13348	0,02
35	Nut M8	13134	0,01
36	Power supply cable with the plug (angled)	25831	5,95
37	Control unit	23028	142,70
38	Plastic frame of control unit	25811	2,43
39	Main switch	19296	0,92